

ON LASER
2 sec = OFF



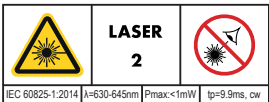
Transportation



User Manual:



www.leica-geosystems.com

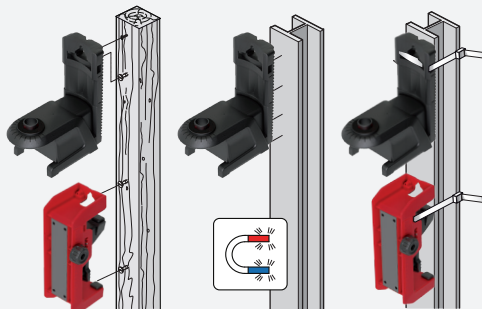
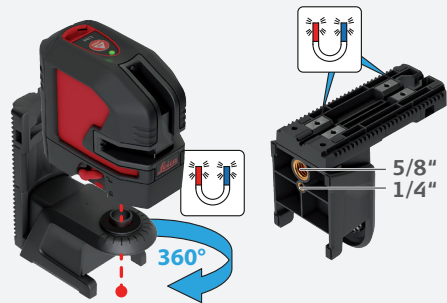


SAP. No. 864429B

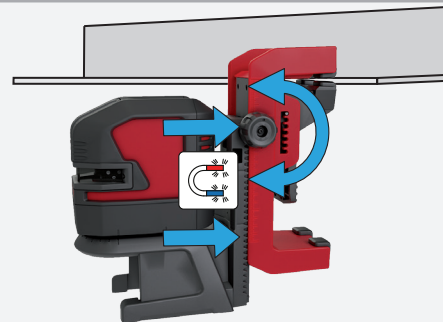
- when it has to be right

Leica
Geosystems

Adapter setup



Usable with UAL 130



Quick Start Leica Lino P5



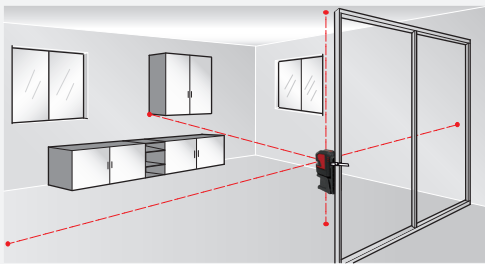
- when it has to be right

Leica
Geosystems

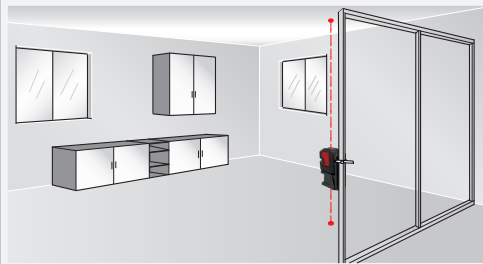
Insert batteries/Li-Ion



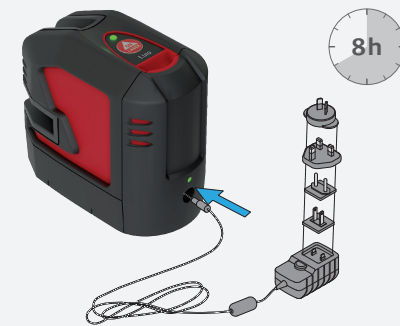
ON LASER 1x - Laser on



ON LASER 3x - Vertical mode



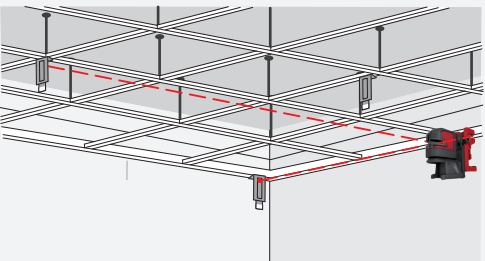
Charging Li-Ion battery



Self levelling / Levelling lock



ON LASER 2x - Horizontal mode



Status LED

